



# Cat<sup>®</sup> 906M

AG HANDLER

## FEATURES:

The Cat<sup>®</sup> 906M Ag Handler is compact, yet powerful, allowing you to do what you want, when you need to, in any agricultural application. The Ag Handler has features that will maximize the performance of the machine, making it a perfect fit to use around the farm.

- Efficiently Powerful** – Experience hybrid like fuel efficiency with an intelligent hydrostatic power train. Eco Mode will allow you to maximize fuel efficiency while maintaining the power going into the pile.
- Work Made Easy** – Move more with Caterpillar’s patented Optimized Z-Bar linkage. The parallel lift and high tilt forces throughout the working range allow you to safely and confidently handle loads with precise control. Multi-function work has never been easier with dedicated pumps for each system, allowing the operator to simultaneously lift, steer and drive without compromise.
- Enjoy All Day Comfort** – Have a seat and enjoy excellent all around visibility, whisper quiet sound levels, and low-effort joystick controls while riding on a fully adjustable seat suspension. The spacious cab combined with smooth hydraulic and power train controls make this the most comfortable seat on your job site.
- Customize Your Experience** – Meet your application requirements and individual preferences with Caterpillar’s industry first adjustable power train and implement response settings. Fine tune machine performance with adjustments at your fingertips through the soft touch button keypad.
- Configured for Success** – The Ag Handler is configured with items such as a high speed transmission for quick travel from farm to field, engine air pre-cleaner for dusty environments, Ag specific tires to maximize traction and LED work lights when operating early in the morning, ensuring that this machine is configured for success.

## Specifications

### Engine

Engine Model	Cat <sup>®</sup> C3.3B DIT*	
Maximum Gross Power		
ISO 14396	54.6 kW	73.2 hp
ISO 14396 (metric)	74.2 hp	
Rated Net Power @ 2,400 rpm		
SAE J1349	53.6 kW	71.9 hp
ISO 9249	53.6 kW	72.9 hp

\*The Cat C3.3B DIT engine meets EU Stage V/U.S. EPA Tier 4 Final emission standards.

### Weight

Operating Weight	5789 kg	12,758 lb
------------------	---------	-----------

Note: Machine with full fuel tank, ROPS/FOPS cab, 80 kg (176 lb) operator, skid steer loader coupler (SSL) and general purpose bucket (GP).

### Buckets

Bucket Capacities	
ISO Coupler	0.75-1.5 m <sup>3</sup>
SSL Style Coupler	1.0-2.0 yd <sup>3</sup>

### Travel Speeds

Speed 1	10 km/h	6.2 mph
Speed 2	20 km/h	12.4 mph
High Speed	35 km/h	21.7 mph

### Hydraulic System

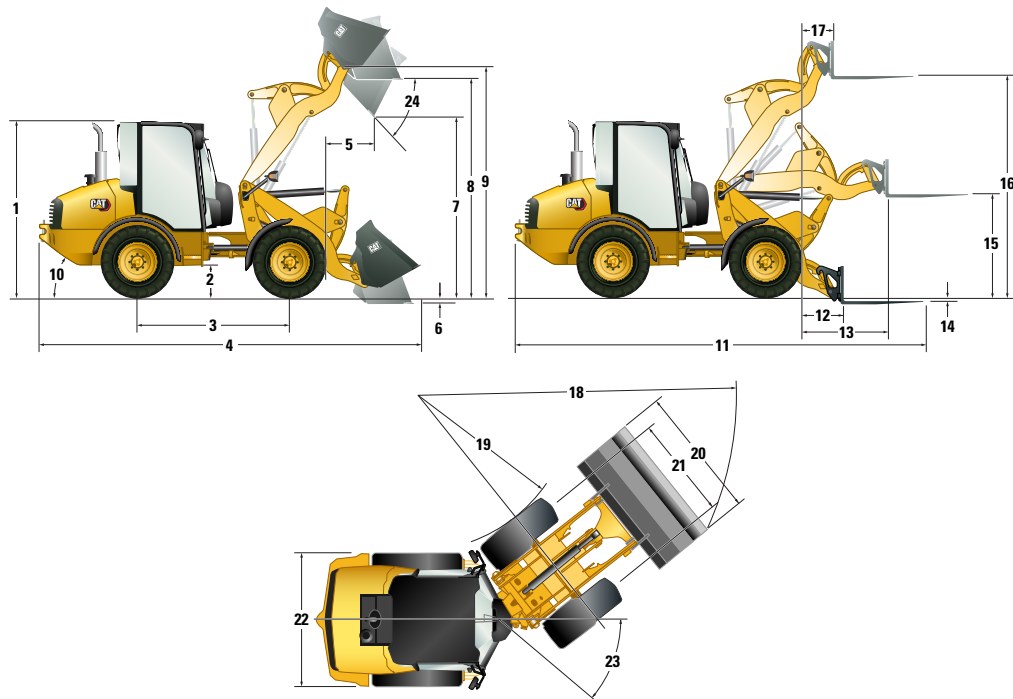
Main Relief – 3rd Aux Flow	235 bar	3,400 psi
Standard	76 L/min	20 gal/min
High Flow	120 L/min	31 gal/min
Hydraulic Cycle Time		
Lift	5.2 seconds	
Lower	3.2 seconds	
Dump	1.3 seconds	
Rack Back	2.1 seconds	

### Service Refill Capacities

Cooling System	17 L	4.5 gal
Fuel Tank	52 L	13.7 gal
Hydraulic System	70 L	18.5 gal
Engine Oil	11.2 L	3.0 gal



# 906M Ag Handler



## Dimensions

(All dimensions are approximate. Dimensions shown are based on the machine equipped with general purpose bucket and standard 340/80 R18, MX, XMCL tires.)

	With ISO Coupler		With SSL Coupler	
1 Height: Ground to Cab	2436 mm	8 ft	2436 mm	8 ft
2 Height: Ground Clearance	302 mm	11 in	315 mm	12.4 in
3 Length: Wheel Base	2170 mm	7 ft 1 in	2170 mm	7 ft 1 in
4 Length: Overall with Bucket	5394 mm	17 ft 8 in	5552 mm	18 ft 3 in
5 Reach: Bucket at 45°	736 mm	2 ft 4 in	837 mm	2 ft 8 in
6 Dig Depth	109 mm	4.2 in	117 mm	4.6 in
7 Clearance: Bucket at 45°	2464 mm	8 ft 1 in	2370 mm	7 ft 7 in
8 Clearance: Level Bucket	3005 mm	9 ft 10 in	2998 mm	9 ft 10 in
9 Height: Bucket Pin	3212 mm	10 ft 6 in	3212 mm	10 ft 6 in
10 Departure Angle	33°		33°	
11 Length: Overall with Forks	5921 mm	19 ft 5 in	5923 mm	19 ft 5 in
12 Reach: Ground	742 mm	2 ft 5 in	744 mm	2 ft 5 in
13 Reach: Level Arm	1227 mm	4 ft	1291 mm	4 ft 2 in
14 Fork Dig Depth	80 mm	3.1 in	6 mm	0.3 in
15 Clearance: Level Arm	1370 mm	4 ft 5 in	1444 mm	4 ft 8 in
16 Clearance: Full Lift	3034 mm	9 ft 11 in	3108 mm	10 ft 2 in
17 Fork Reach at Full Lift	455 mm	1 ft 5 in	520 mm	1 ft 8 in
18 Turning Radius: Over Bucket	4412 mm	14 ft 5 in	4448 mm	14 ft 7 in
19 Turning Radius: Inside Tire	2128 mm	6 ft 11 in	2108 mm	6 ft 10 in
20 Width: Bucket	1880 mm	6 ft 2 in	1880 mm	6 ft 2 in
21 Width: Tread Center	1420 mm	4 ft 7 in	1420 mm	4 ft 7 in
22 Width: Over Tires	1840 mm	6 ft	1840 mm	6 ft
23 Articulation Angle	39°		39°	
24 Dump Angle at Full Lift	49°		47°	

## Operating Specifications

Machine with full fuel tank, ROPS/FOPS cab, 80 kg (176 lb) operator, either SSL or ISO coupler and general purpose bucket (GP).

Coupler Type	ISO		SSL	
Tire Size	340/80 R18		340/80 R18	
Operating Weight	5743 kg	12,656 lb	5987 kg	13,199 lb
Rated Bucket Capacity	0.9 m <sup>3</sup>	1.2 yd <sup>3</sup>	0.9 m <sup>3</sup>	1.18 yd <sup>3</sup>
Breakout Force, Bucket	49 kN	11,044 lbf	40 kN	9,004 lbf
Rated Operating Load at Full Turn, Bucket	1763 kg	3,884 lb	1650 kg	3,612 lb
Straight Tipping Load, Bucket	4390 kg	9,674 lb	4194 kg	9,246 lb
Full Turn Static Tipping Load, Bucket	3525 kg	7,769 lb	3482 kg	7,676 lb
Rack Back, Transport Position	51°		51°	
Rated Operating Load at Full Turn, Forks (EN 474-3:2006, firm and level ground, 1.25 stability and 500 mm [20 in] load center)	2306 kg	5,082 lb	2194 kg	4,835 lb

## Maximum Material Densities

Based on ISO 7546:1983, and rated operating loads at full turn with 100% bucket capacity and SSL coupler.

Bucket Type	General Purpose		Multi Purpose		Light Material	
Rated Capacity	0.9 m <sup>3</sup>	1.2 yd <sup>3</sup>	0.8 m <sup>3</sup>	1.0 yd <sup>3</sup>	1.25 m <sup>3</sup>	1.6 yd <sup>3</sup>
Dump Height	2464 mm	97 in	2433 mm	85 in	2388 mm	85 in
Maximum Material Density	1737 kg/m <sup>3</sup>	3,031 lb/yd <sup>3</sup>	1976 kg/m <sup>3</sup>	3,483 lb/yd <sup>3</sup>	1349 kg/m <sup>3</sup>	2,323 lb/yd <sup>3</sup>
Bucket Width	1880 mm	74 in	1880 mm	74 in	2080 mm	82 in



**Bale Grab**



**Dual Bale Spear**



**Mixing Bucket**



**Grapple Bucket**



**Silage Defacer**

# 906M Ag Handler

## STANDARD EQUIPMENT

### LOADER

- Return to dig work tool positioner
- Adjustable implement modulation

### TRANSMISSION/HYDRAULICS

- Adjustable speed control (creeper control)
- Rimpull control
- Electronic throttle lock
- Adjustable Hystat response settings
- Ride control
- 100% differential lock on both axles, selectable on the move
- 18° frame oscillation, 78° articulation
- Transmission, 35 km/h (21.7 mph) with secondary steering and heavy duty axles
- Transmission inching function
- Hydrostatic drive
- Work tool quick coupler
- Proportional auxiliary hydraulic circuit
- Loader arm float function
- Connect under pressure hydraulic quick connector
- Parallel lift Z-bar loader
- Demand based cooling fan

### ENGINE

- Precleaner for engine air filter
- Cat C3.3B DIT EU Stage V/U.S. EPA Tier 4 Final engine
- Two stage air cleaner with visual indicator
- Cat extended life coolant
- Lockable engine compartments
- Easy quick release fuel filter/water separator
- Engine oil drain valve (non spill eco drain)
- Closed circuit breather
- Eco Mode

### ELECTRICAL

- Magnetic rotating beacon
- Work tool wiring harness
- Working lights, two front and two rear
- Cab mounted fuse panel
- Battery disconnect switch
- Heavy duty battery, 12V
- Engine cold starter aid
- Alternator 90 amp
- Service point connector for electronic diagnostics (Electronic Technician™)
- Reverse alarm

### GENERAL

- E-coat paint primer
- Pressure test points
- Recovery hitch and pin
- Scheduled Oil Sampling S-O-S<sup>SM</sup> ports

### OPERATOR ENVIRONMENT

- Adjustable steering column
- Air conditioning
- Heater with window, side and feet vents
- Heated rear window
- Radio/CD/MP3/WMA/AUX
- Two doors with sliding window
- Wiper/washer, front and rear
- Cabin light
- Pressurized cab
- Cup holder
- Sun visor
- ROPS and FOPS certified canopy/cab
- Adjustable arm rest
- Retractable seat belt
- Auxiliary power sockets
- Coat hook
- On board digital display cluster
- Sound suppression
- Multifunction joystick with direction control
- Two external knock back mirrors
- Warning indicators for major systems
- Easy clean cab floor
- Lockable storage box
- Adjustable internal mirror
- Operator station on isolation mounts
- Digital service hour meter
- Gauges: fuel hydraulic temp, coolant temp, speedometer
- Warnings: master, park brake, hydraulic oil pressure, engine oil pressure, coolant temp, electrical system, hydraulic filter bypass
- Suspended brake/accelerator pedals
- Cloth, electric air suspension, arm/head rest, lumbar support, heated back seat

## OPTIONAL EQUIPMENT

### LOADER

- High flow auxiliary hydraulics with pressure relieving quick disconnect manifold
- Load check valves

### ENGINE

- Engine block heater 120V

### ELECTRICAL

- Machine Security System (MSS)

### GENERAL

- Custom color
- Tire options

### FLUIDS

- Cat extended life coolant (-50° C/-58° F)

### OPERATOR ENVIRONMENT

- Rear blind

### WORK TOOLS

- For all work tools and standard/high flow options (consult your Cat dealer)

For more complete information on Cat products, dealer services, and industry solutions, visit us on the web at [www.cat.com](http://www.cat.com)

© 2021 Caterpillar  
All rights reserved

Materials and specifications are subject to change without notice. Featured machines in photos may include additional equipment. See your Cat dealer for available options.

CAT, CATERPILLAR, LET'S DO THE WORK, their respective logos, "Caterpillar Corporate Yellow," the "Power Edge" and Cat "Modern Hex" trade dress as well as corporate and product identity used herein, are trademarks of Caterpillar and may not be used without permission.

AEHQ8115-01 (06-2021)  
Replaces AEHQ8115  
(N Am, Eur)

