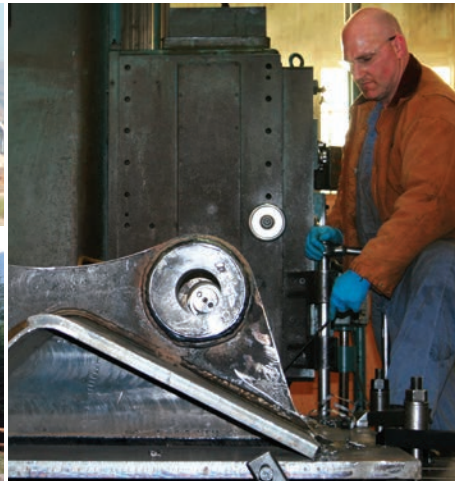


PETERSON

MACHINING & FABRICATION

FORESTRY | CUSTOM PROJECTS | DEMOLITION | WASTE/RECYCLING | MARINE | CONSTRUCTION/QUARRY



SHOP CAPABILITIES

Peterson welds with MIG, TIG, stick, metal spray, and tungsten-carbide processes. We work with all types of materials, including aluminum, stainless steel, and bronze. Our shops operate a variety of hydraulic press equipment up to 500 tons.



MACHINING, LINE BORING/WELDING

Peterson operates a fleet of dedicated welding and machining field service trucks with portable boring, welding, and facing capabilities.



TURNING, DRILLING, MILLING, AND BORING

We turn, mill, drill, tap, saw, grind, thread and bore! We are able to line bore from 1¼" to 24", shear from 16ga to ½", machine engine blocks, and recondition cylinder heads.

GAS AND PLASMA BURNING

Peterson maintains CNC burn tables capable of plasma burning material up to 2" thick and oxy-cutting material up to 8" thick.

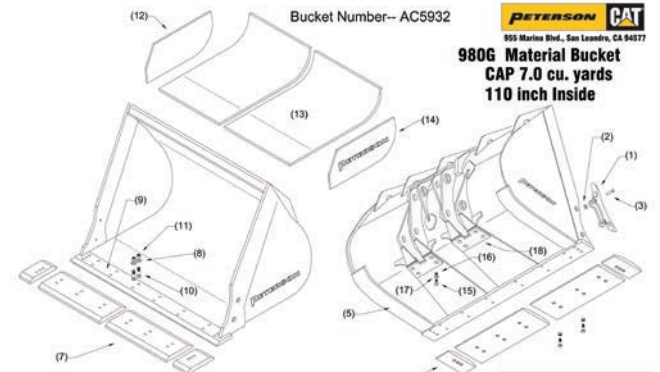
ON-SITE WELDING

Let us come to you, we will go anywhere! We weld MIG, TIG, and stick with burning and air arc capabilities. We also provide removal and installation if shop services are required.



ALL MAKES AND MODELS

Peterson's full-service custom fabrication shops are prepared to repair or build any type of equipment regardless of make or model.



ITEM	QTY	Part Number	Part Name	ITEM	QTY	Part Number	Part Name
1	2	9J9500	Protector, Sidebar	11	12	3K3770	Nut
2	4	8E3359	Retainer	12	2	5766-002	Inside-Side Wear Plate
3	4	9J8442	Pin	13	2	5766-003	Bottom-Inside Liner Plate
5	2	5766-001	Ski-Wear Plate	14	2	5766-004	Outside-Side Wear Plate
6	2	3C6395	Cutting Edge, Corner (See Note)	15	8	5J4773	Bolt
7	2	1J2406	Cutting Edge, Center	16	8	223056	Nut
8	12	5P8250	Washer	17	8	5P8248	Washer
9	1	4V9714	Base Edge	18	2	9V5793	Wear Pad

Bucket Weight - 8,330 lbs.
Wear Package Weight to 2,960 lbs.

FULL-SERVICE HYDRAULIC SHOPS

Peterson's full-service hydraulic shops can fabricate, repair, rerod, or retube any hydraulic cylinder for any application! We can also repair or source pumps, motors, valves, and hoses regardless of make or model.

ENGINEERING

We design and build to your structural, hydraulic, or electrical specifications—call Peterson's team of experienced in-house engineers for more information!



PETERSON FABRICATION

A History of Innovation

Buster Peterson (company founder Howard Peterson's brother) joined Peterson in 1943 and almost immediately began introducing his custom innovations to the company's customers. Over the course of his long career, Buster sold many of his inventions to Caterpillar; they were then incorporated into the company's product line.

And Buster's spirit of innovation lives on at Peterson. By 2012, the company's Engineering department has sold over forty patents to Caterpillar, and they show no sign of slowing down. Call Peterson today to find out how we can put our expertise to work for you!

NO MATTER WHERE YOU ARE

There's a Peterson store nearby

With nineteen full-service stores in California, Oregon, and Washington, you're never far from a Peterson location. We maintain multiple custom fabrication, welding, and machining shops throughout our 100,000+ square mile territory, so you can be sure that we have the manpower, expertise, and willingness it takes to do your job right the first time... Whatever it is!

SAN MARTIN, CA

(408) 686-1195

SAN LEANDRO, CA

(510) 357-6200

SANTA ROSA, CA

(707) 576-1616

WILLOWS, CA

(530) 934-8839

WILLITS, CA

(707) 459-9006

CHICO, CA

(530) 343-1911

REDDING, CA

(530) 243-5410

FORTUNA, CA

(707) 725-1888

KLAMATH FALLS, OR

(541) 850-8658

MEDFORD, OR

(541) 282-8551

NORTH BEND, OR

(541) 756-8708

REDMOND, OR

(541) 548-8566

EUGENE, OR

(541) 302-9199

ALBANY, OR

(541) 791-9133

SALEM, OR

(503) 364-0602

THE DALLES, OR

(541) 296-4642

PORTLAND, OR

(503) 288-6411

LONGVIEW, WA

(360) 423-5760



Visit us online at petersoncat.com